

19575 19576
CRF100-F and SA Control Ring
for Canon RF 100mm f2.8L Macro IS USM

Instruction Manual

FOREWORD

Thank you for your purchase of a NAUTICAM product.

At NAUTICAM, we pride ourselves in the ability to recognize the requirements of professional as well as amateur underwater photographers and fulfill them through the innovative designs of our products. We strive to achieve a high level of user-friendliness by allowing stress-free installation and easy operation of all important functions of the camera.

Please read this manual carefully before using the product, this will maximize its performance as well as its lifetime.

WARRANTY

All NAUTICAM Products are warranted against any material and manufacturing defects for two years from the date of purchase for consumer use. This warranty only applies to products purchased from authorized NAUTICAM dealers and does not extend beyond the original retail purchaser.

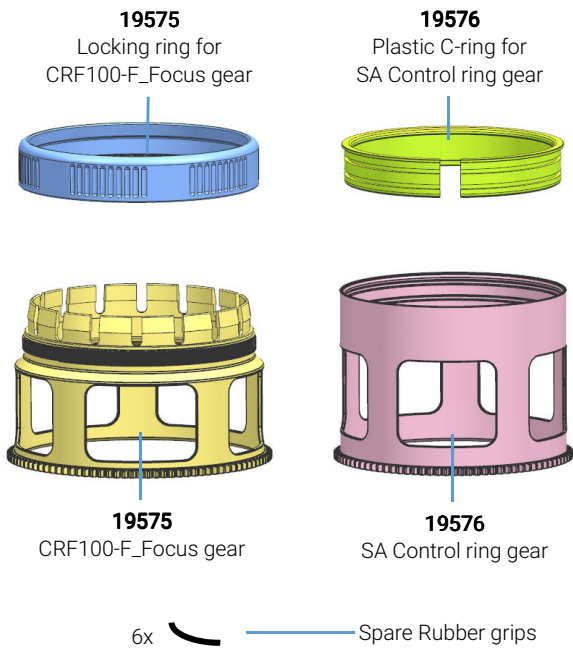
To return your product for service, please contact your regional authorized service center(s). Please note that this warranty only applies when the product is purchased in the territory where the service center is located.

NAUTICAM does not hold responsibility for damage, of any nature, to any equipment used with and/or placed within our products.

NAUTICAM accepts no liability for any loss of captured images or the inability to capture images even if it is due to the malfunctioning of our products.

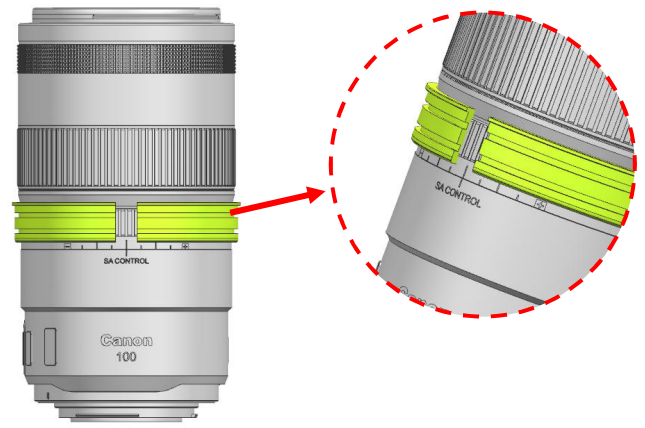
Unauthorized modifications and/or repairs of our products will automatically invalidate the warranty.

IDENTIFICATION OF PARTS

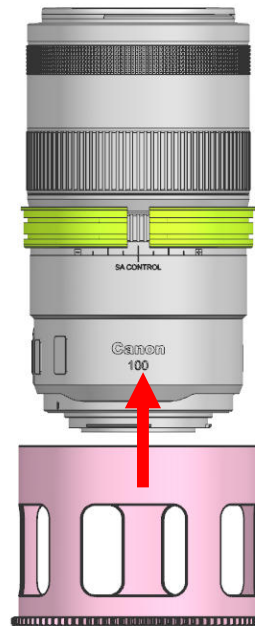


*Before mount 19576 SA Control ring gear, slide the SA control ring lock switch on the lens to unlock position.

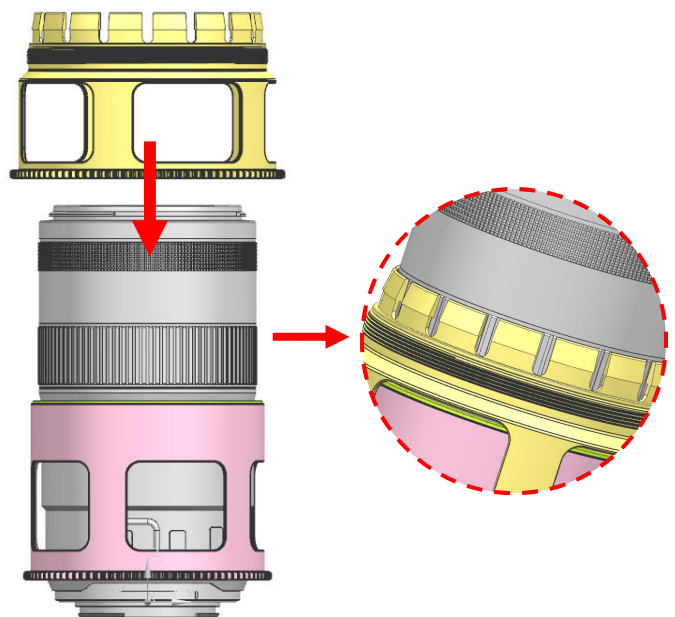
MOUNTING THE GEARS ON A LENS



1. Insert the plastic C-ring for SA Control ring gear as shown and place it over the lens



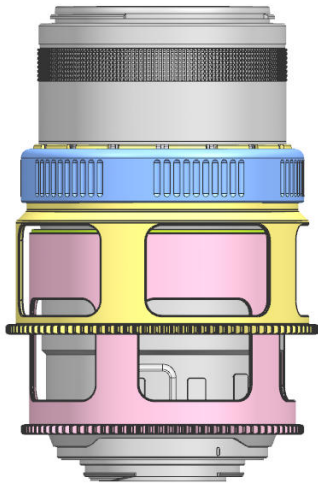
2. Insert the SA Control ring gear on the plastic C-ring until it reaches the flange of the plastic C-ring.



3. Insert the CRF100-F_Focus gear as shown and place it over the lens

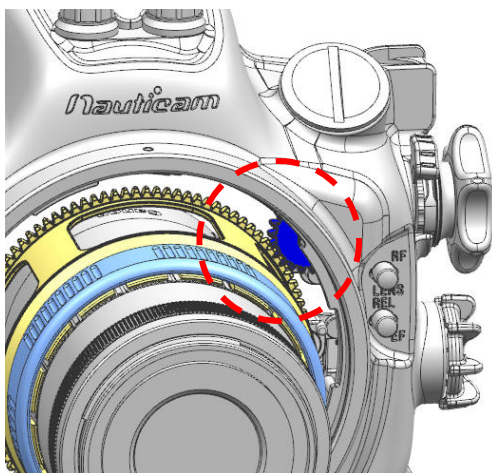


- Place the Locking Ring for CRF100-F_Focus gear over the gear, and screw it into the thread on the gear

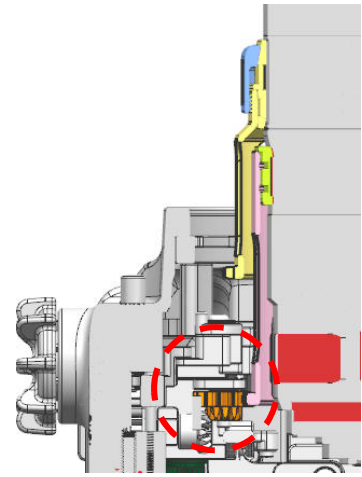


- The tightness between the SA Control ring gear and the lens can be adjusted by removing rubber grips on either sides of the plastic C-ring.

CONTROLLING THE GEARS



- The CRF100-F_Focus gear can be controlled by zoom/focus knob of the housing.



- The SA Control ring gear can be controlled through Control ring mount adaptor Fn of the housing [Front dial]

After mount the camera and lens (with gears installed) on the housing, confirm that the zoom/focus knobs and dial operate correctly.

SPECIFICATIONS

19575 CRF100-F FOR CANON RF 100MM F2.8L MACRO IS USM	
Dimensions(mm):	DIA102.0x48.86
Type:	Focus gear
Compatible lens:	CANON RF 100MM F2.8L MACRO IS USM
Compatible housings:	17329 NA-R
	17333 NA-R5
	17334 NA-R6
	16507 NA-C70
	16116/16118/16119 NA-KomODO

19576 SA CONTROL RING FOR CANON RF 100MM F2.8 L MACRO IS USM	
Dimensions(mm):	DIA92.0x65.6
Type:	SA Control ring gear
Compatible lens:	CANON RF 100MM F2.8 L MACRO IS USM
Compatible housings:	17329 NA-R
	17333 NA-R5
	17334 NA-R6

Remark: Nauticam supports only e-manuals. Please download corresponding product manuals on Nauticam.com website, or contact us for e-manuals.